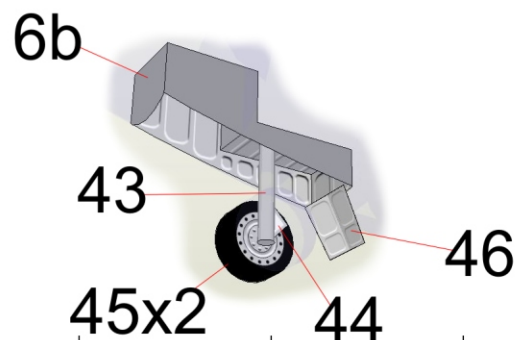
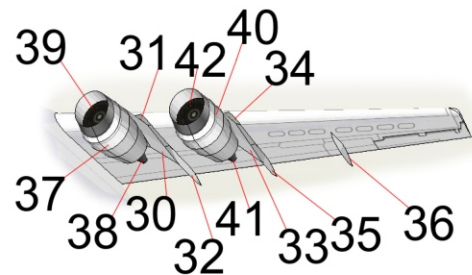
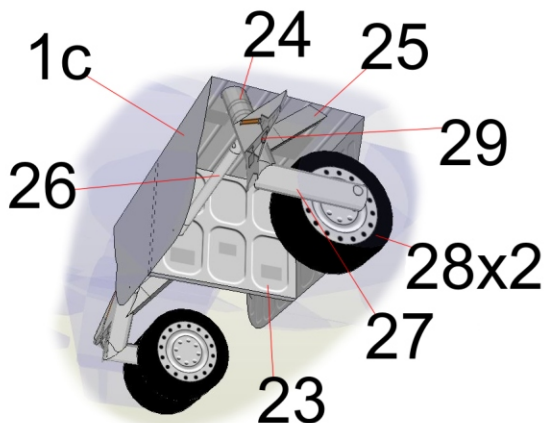
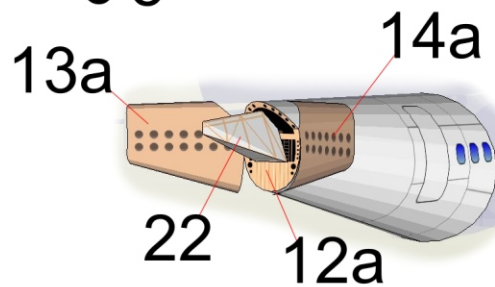
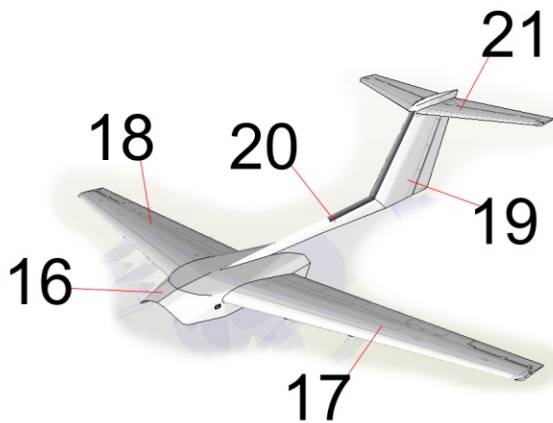
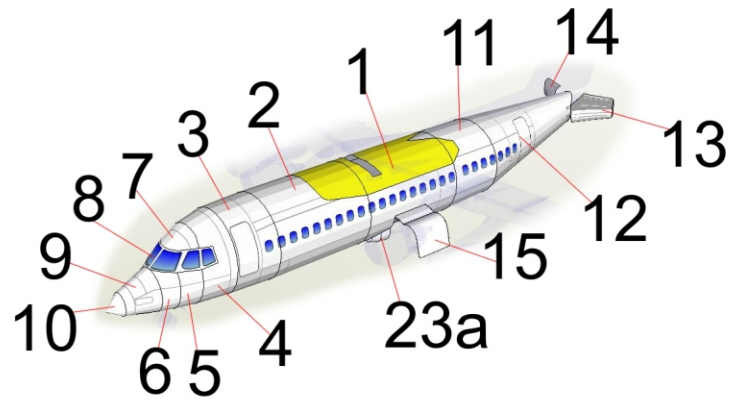
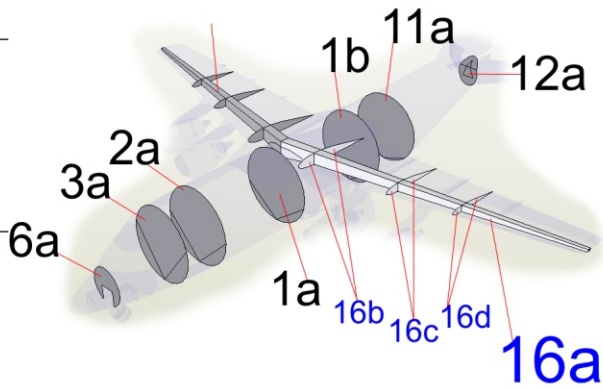


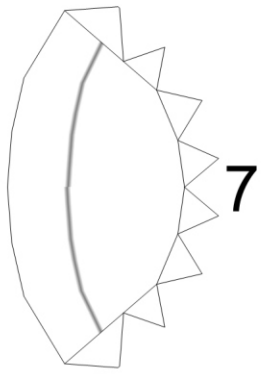


BAe 146-200

1:48 scale

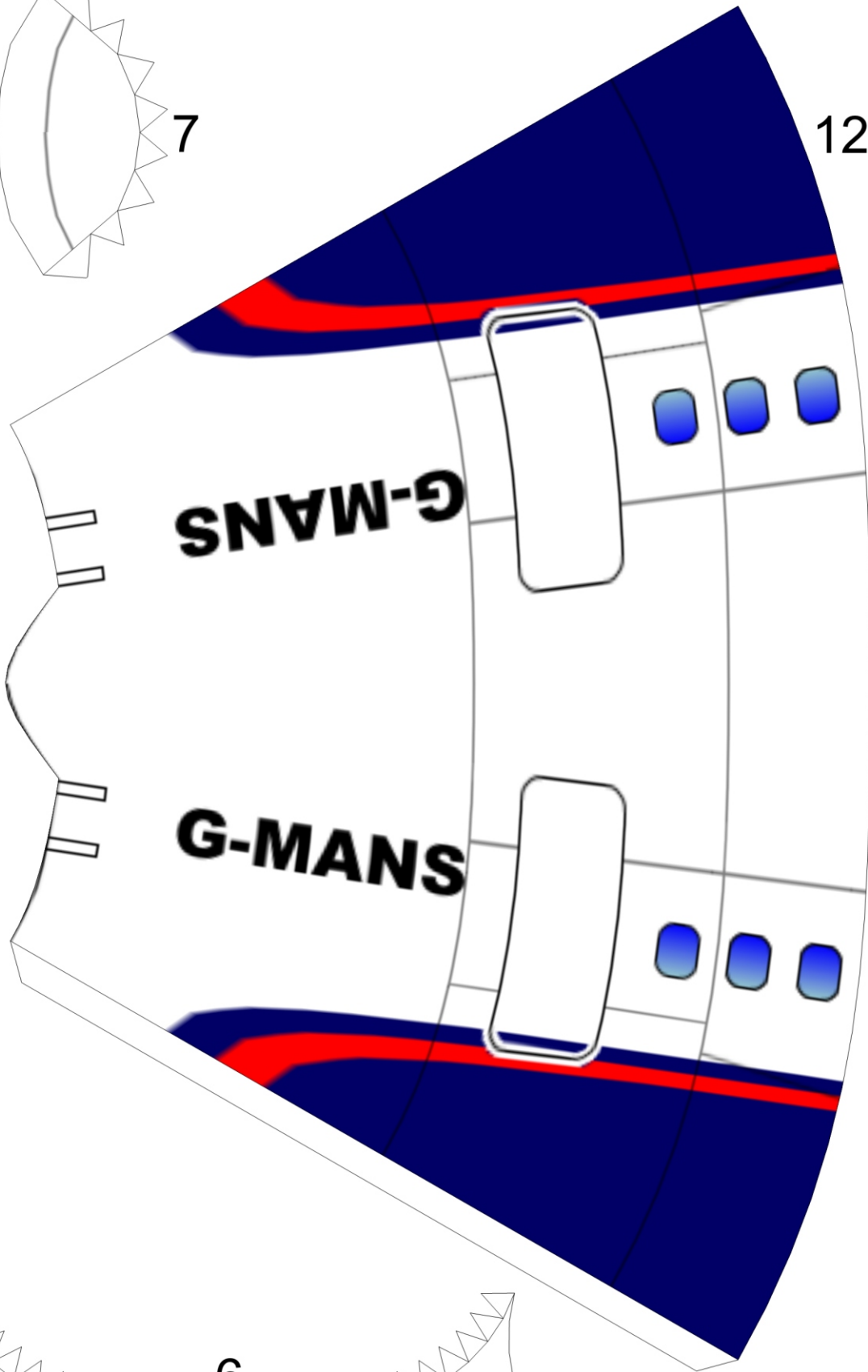
BRITISH AIRWAYS





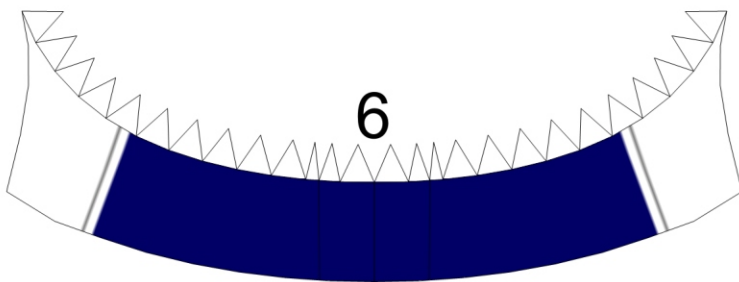
7

12



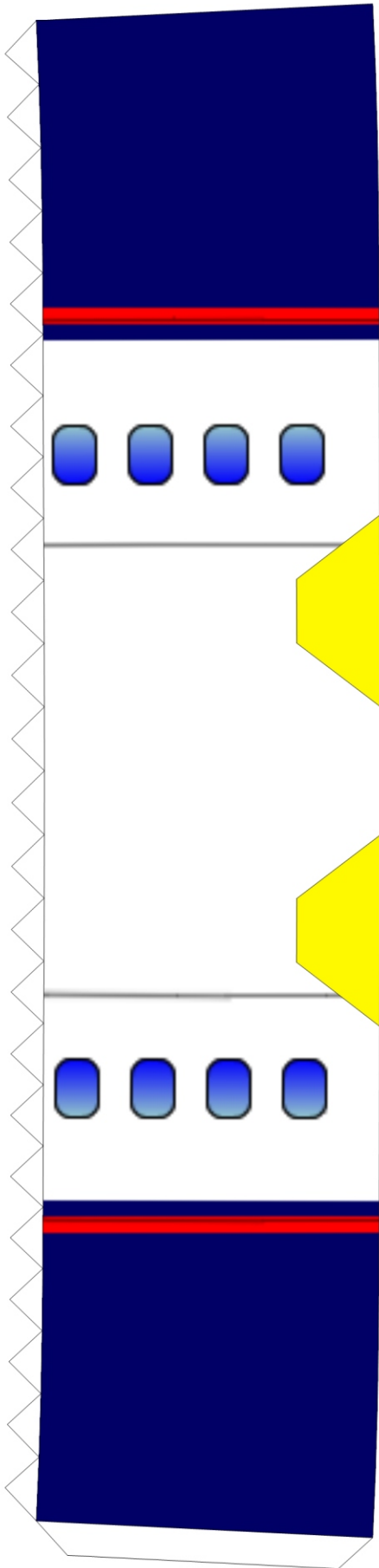
G-MANS

G-MANS

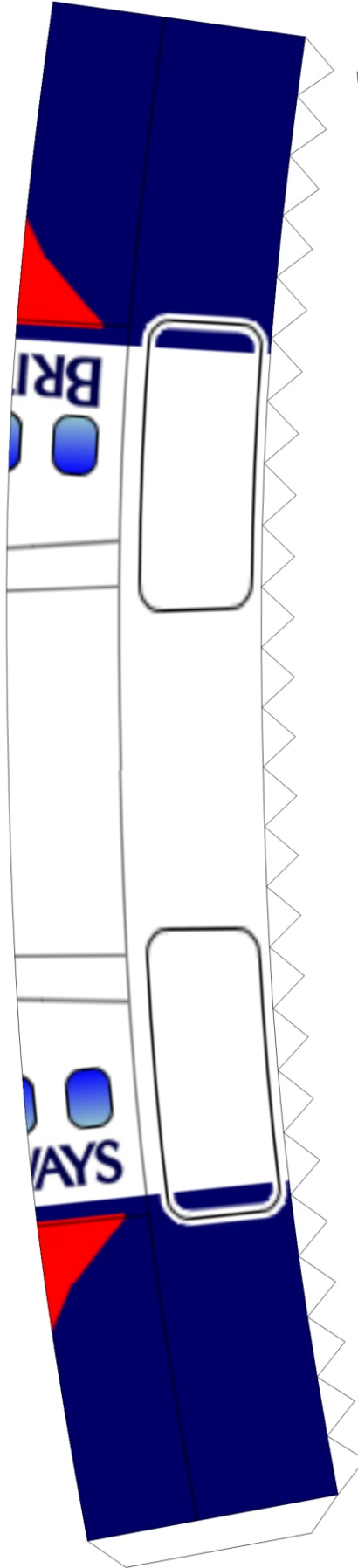


6

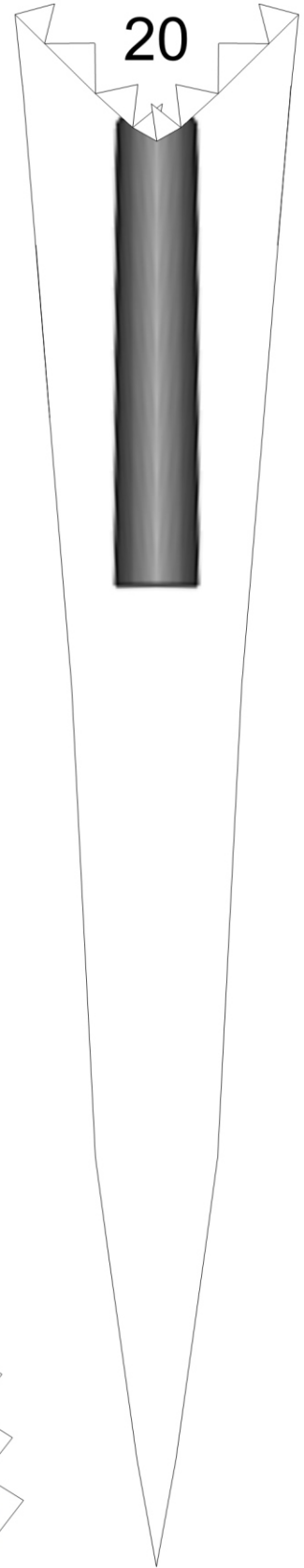
11

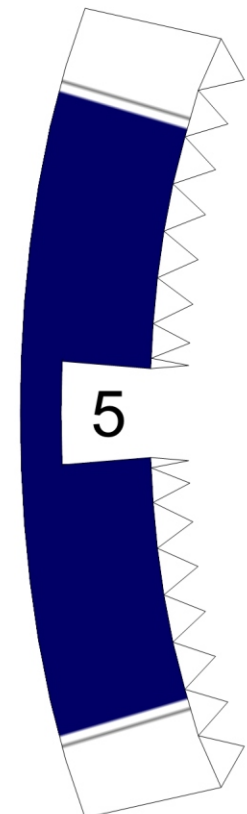
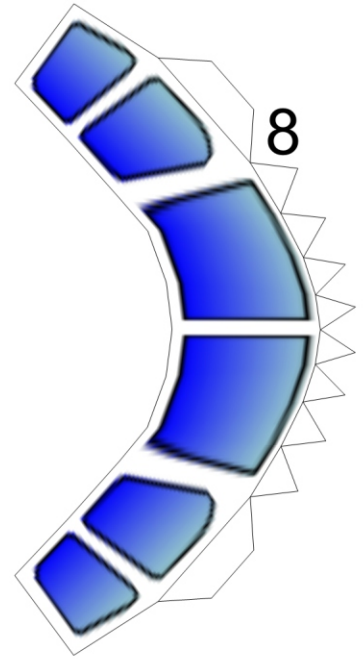
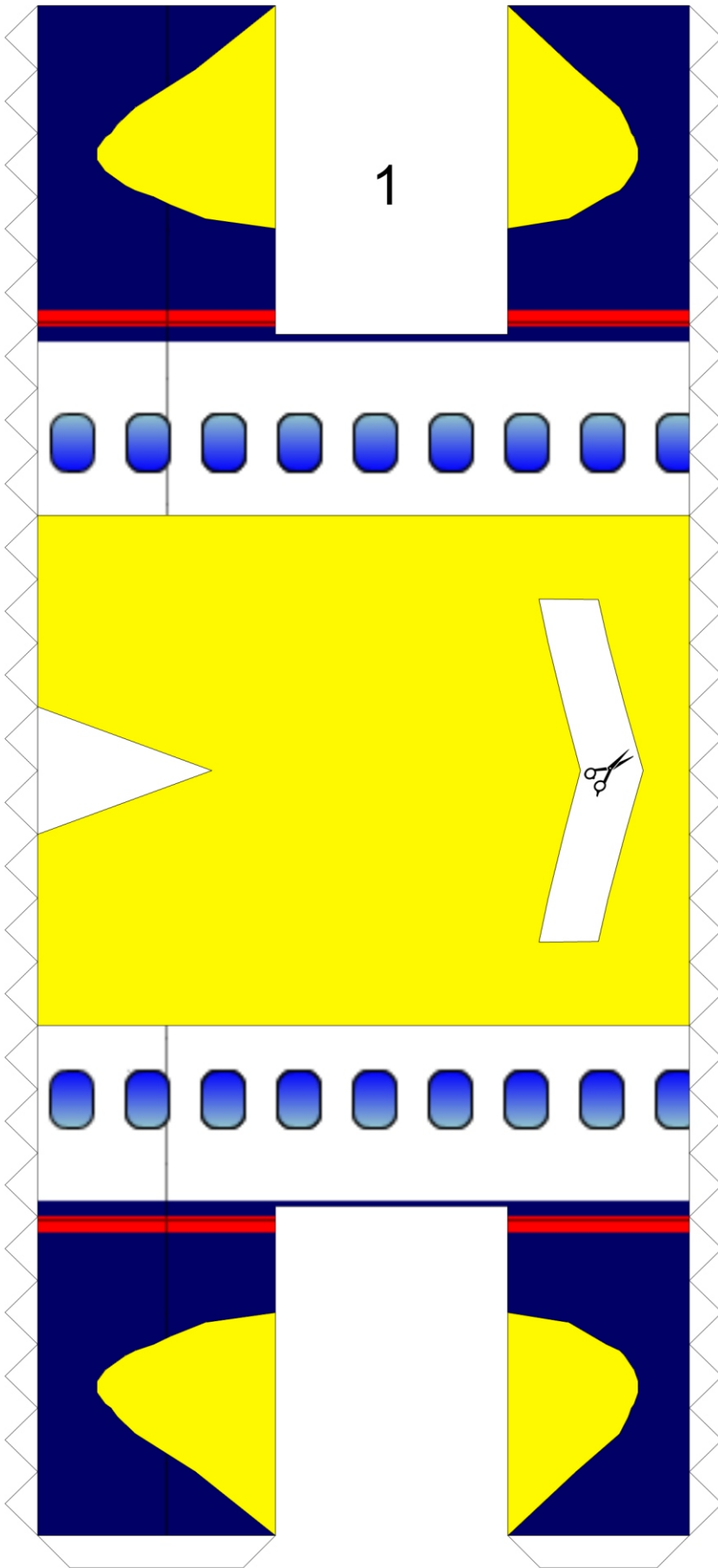


3

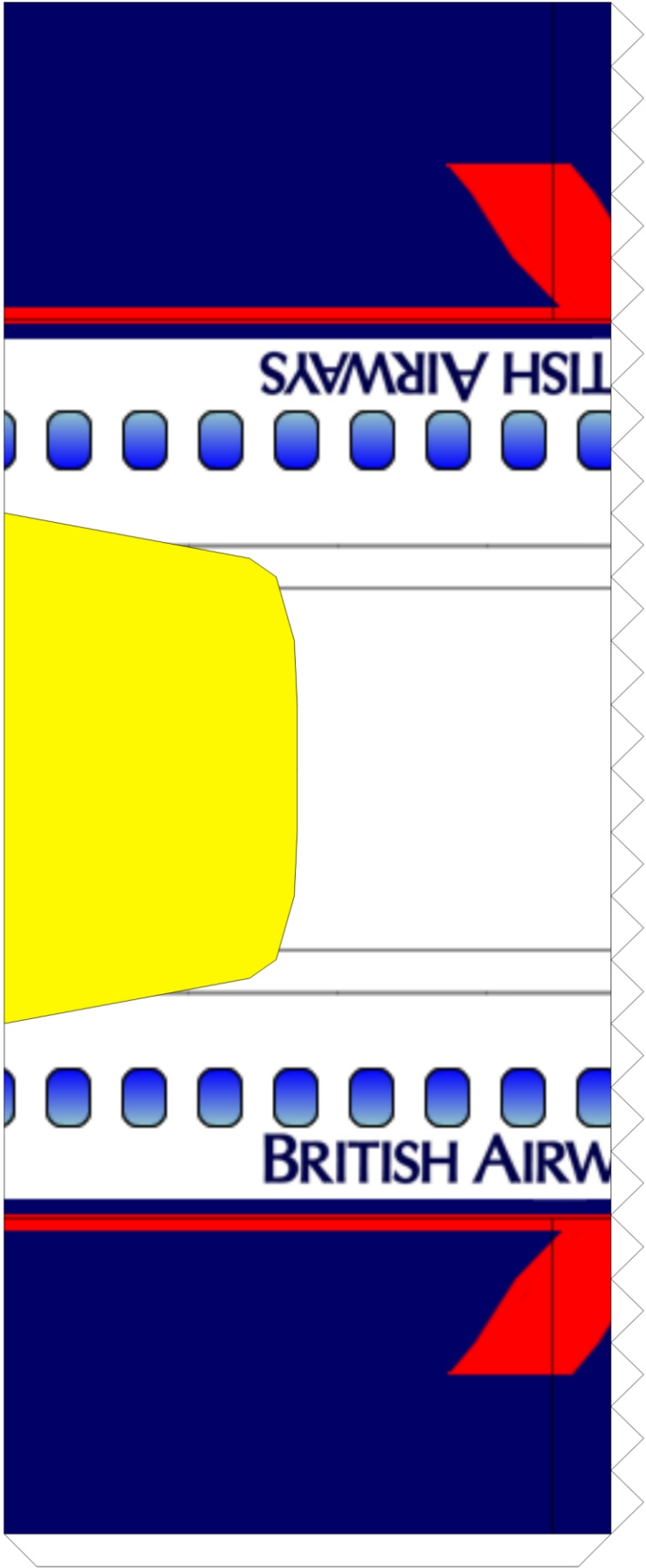


20

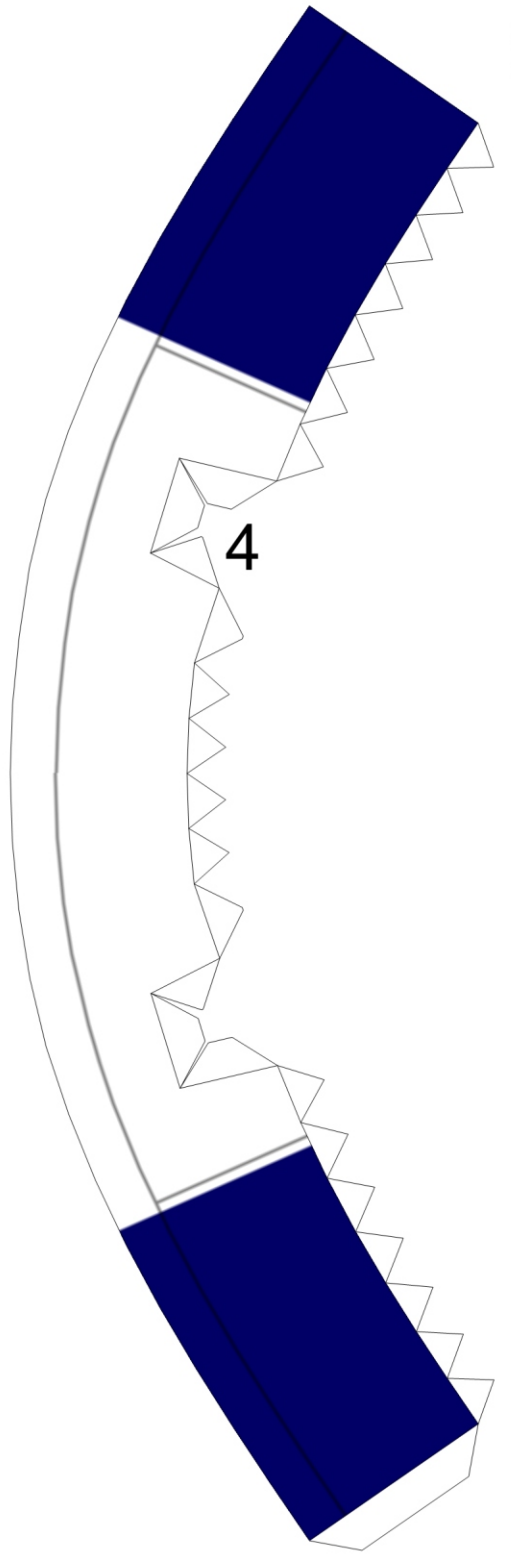


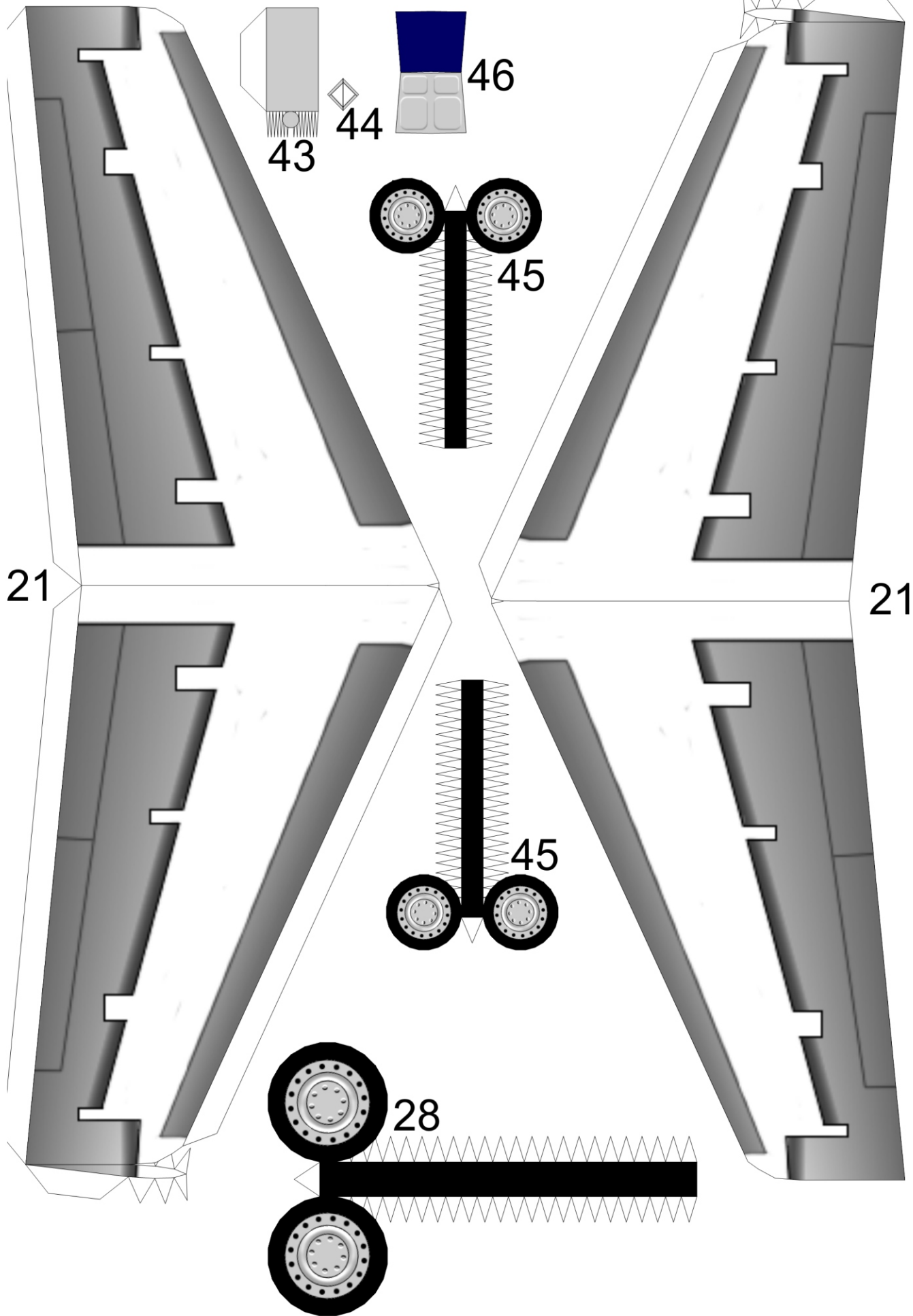


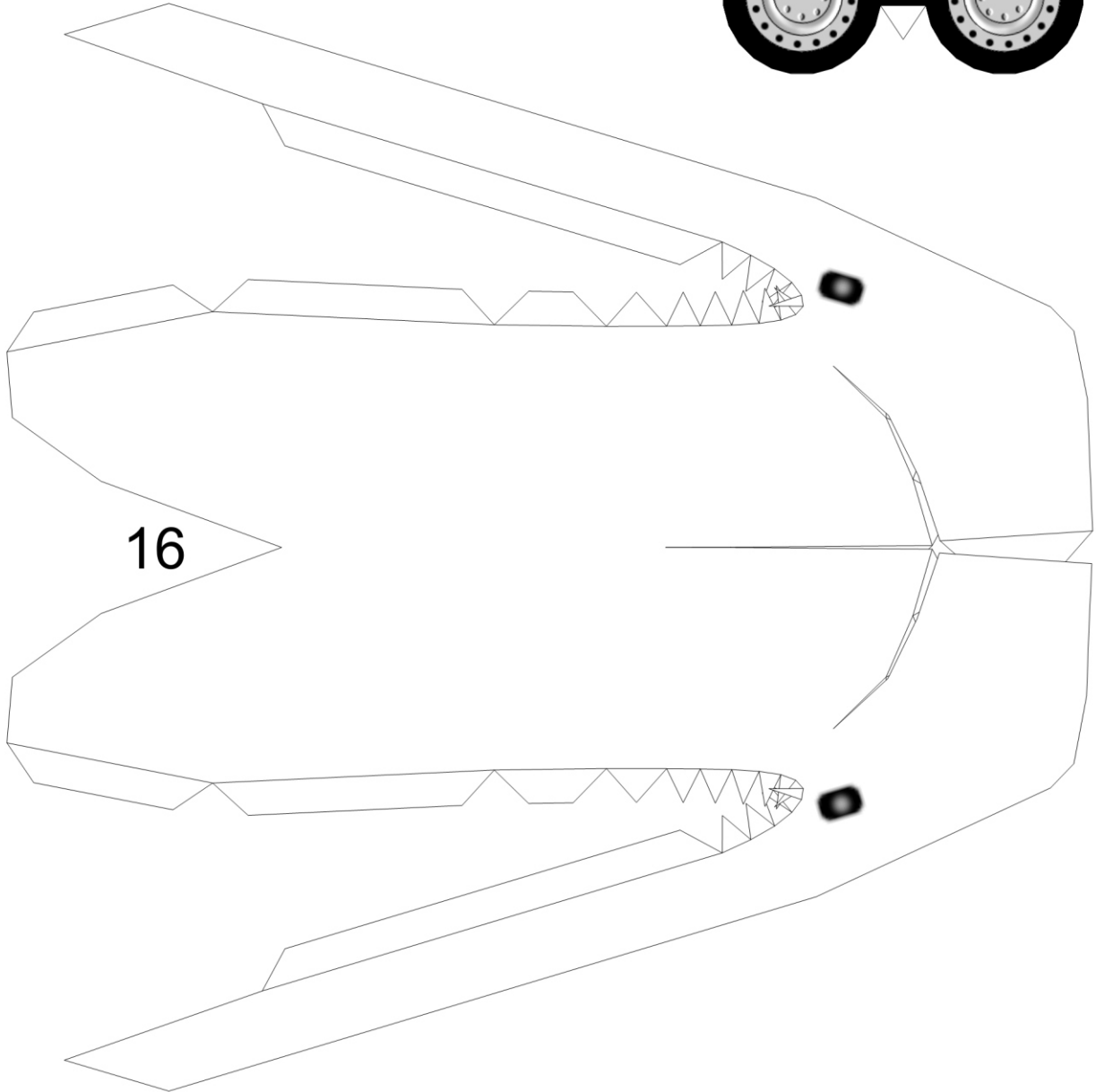
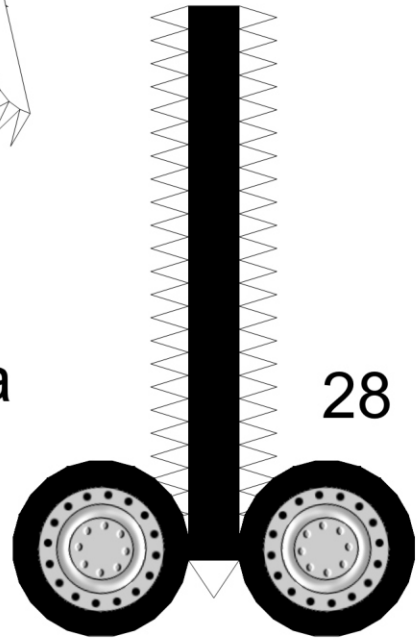
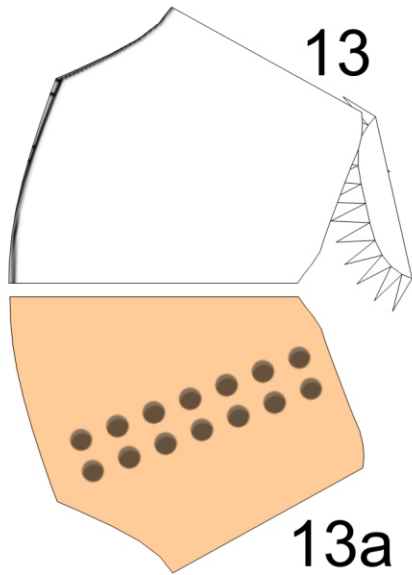
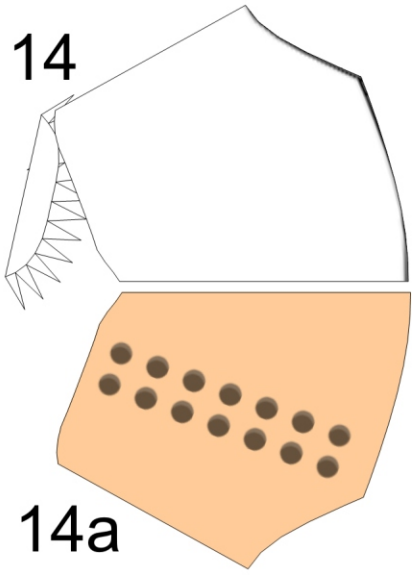
2

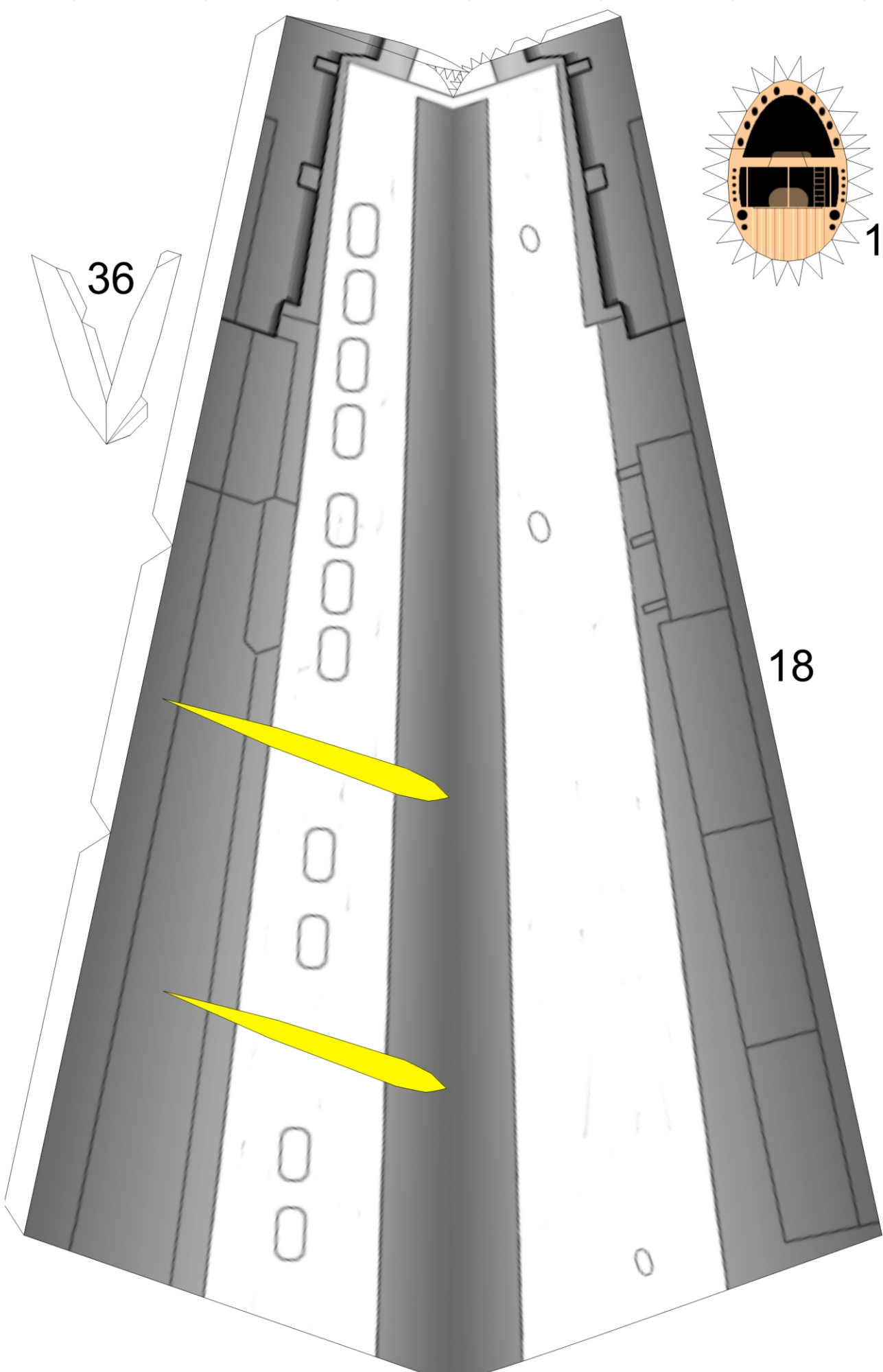


4

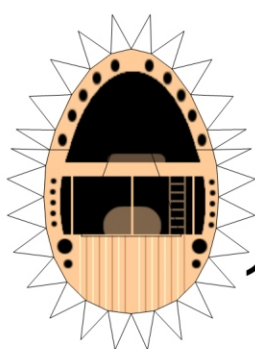






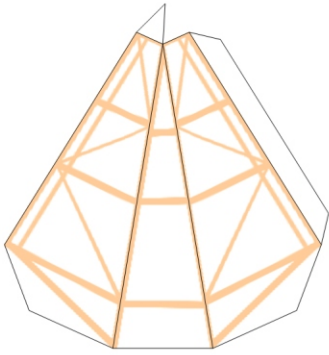


36



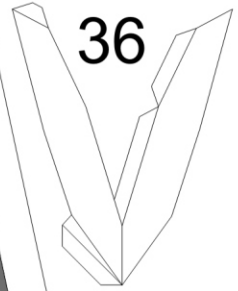
12a

18

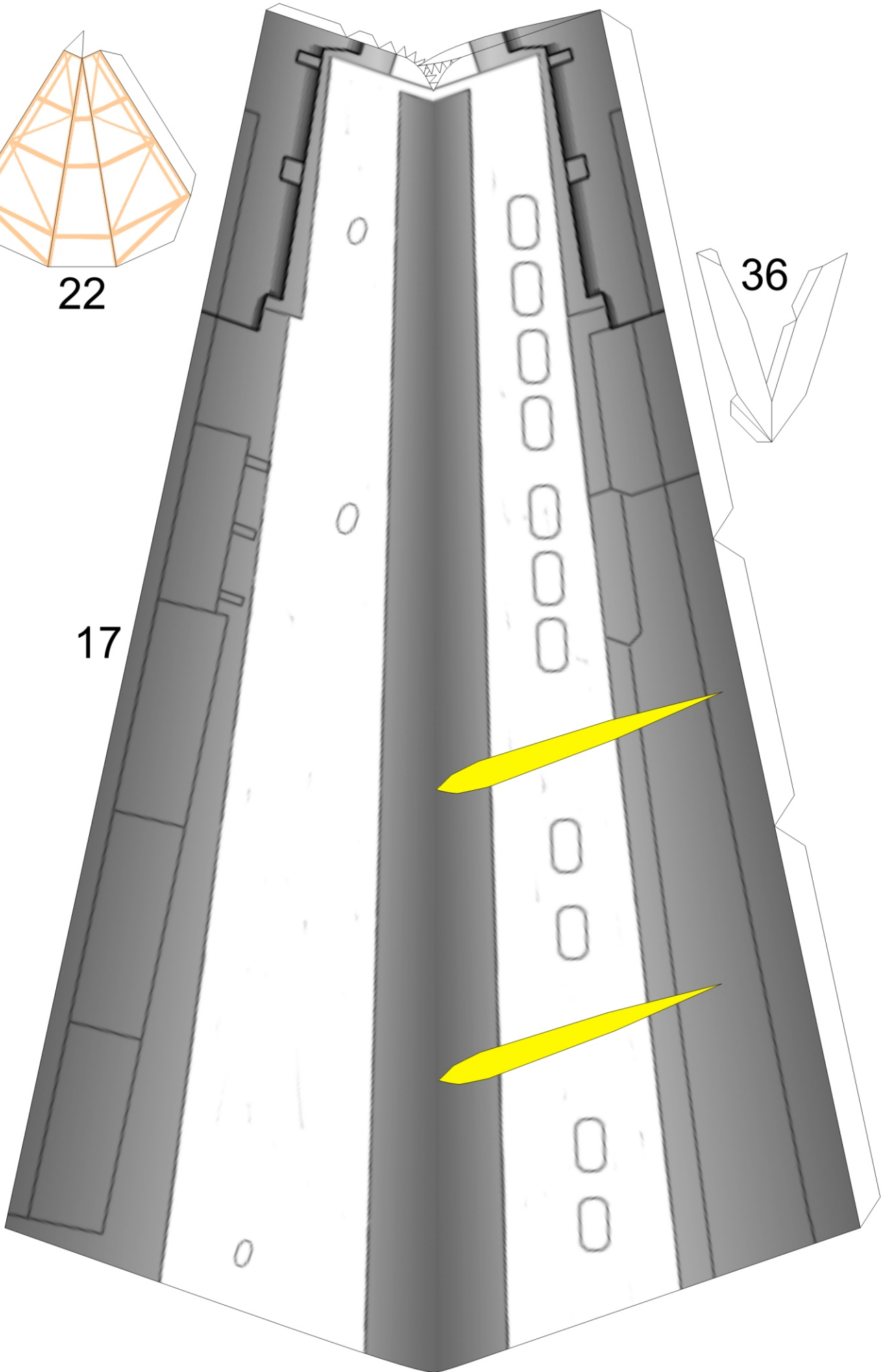


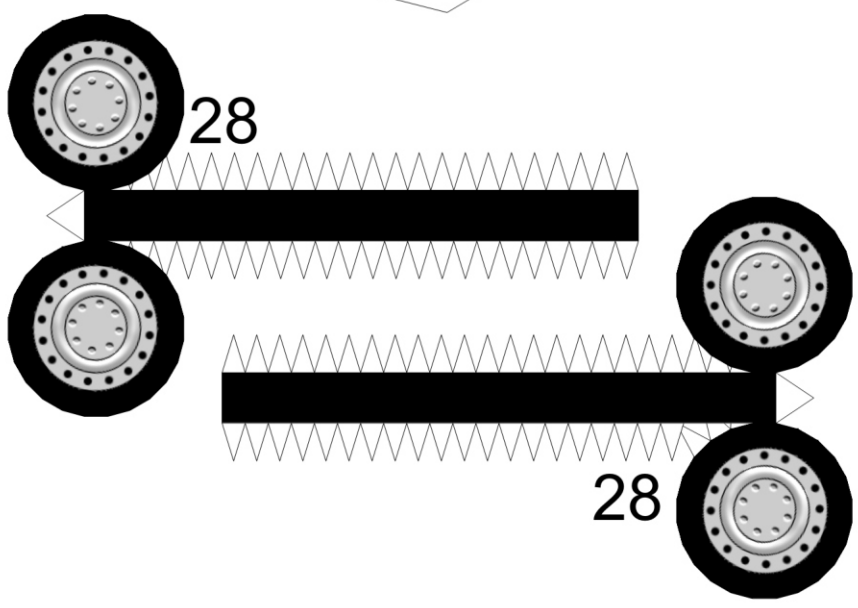
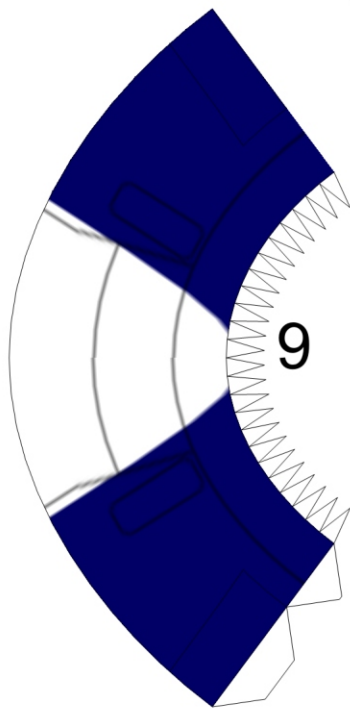
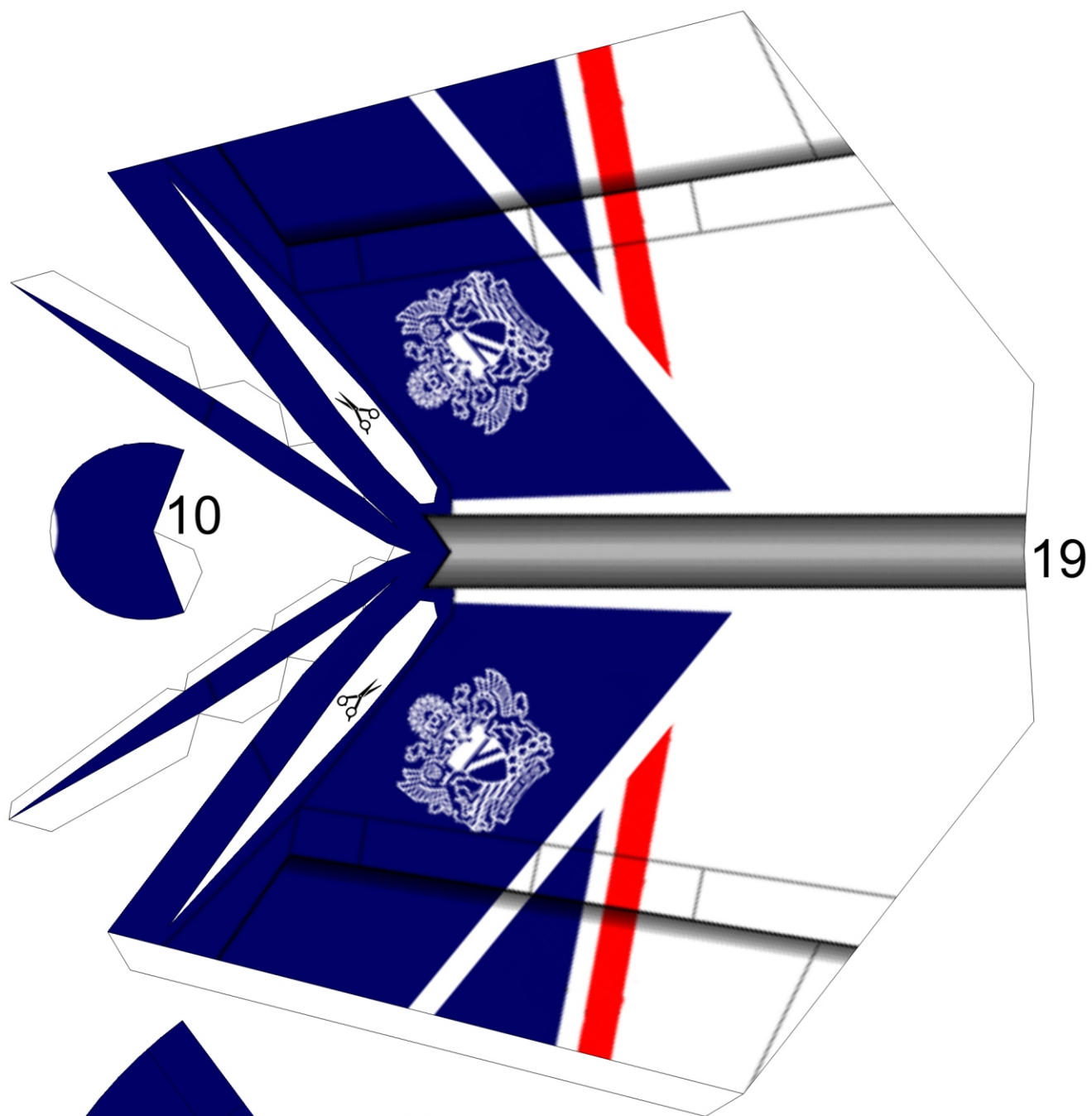
22

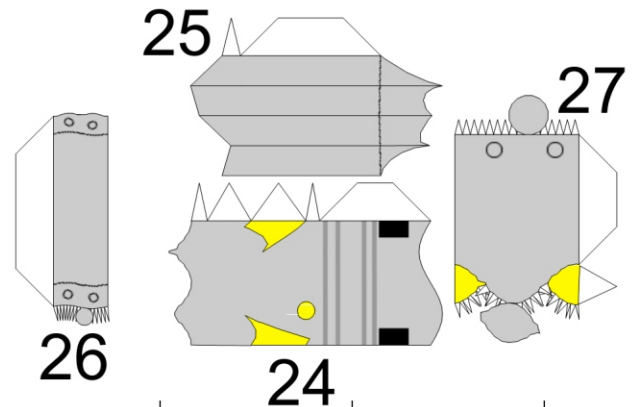
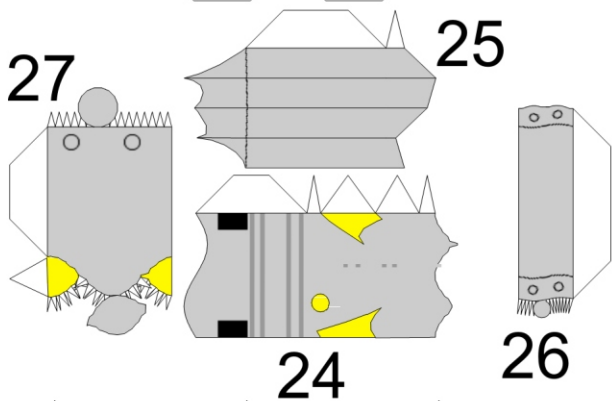
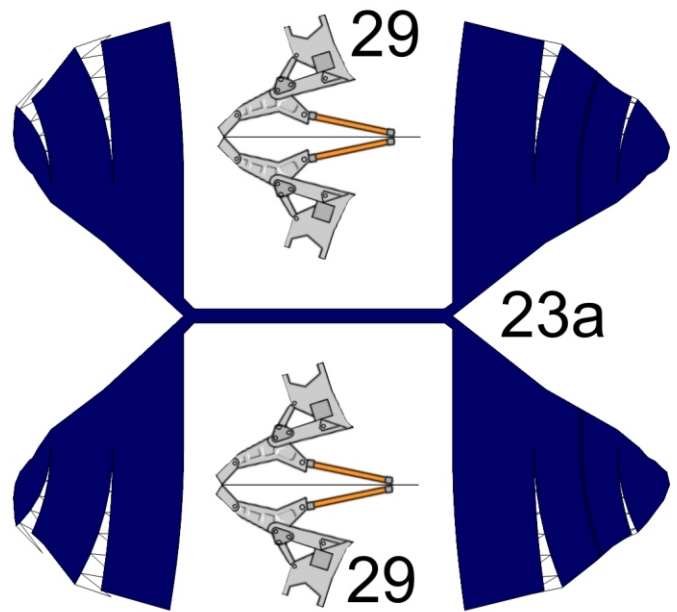
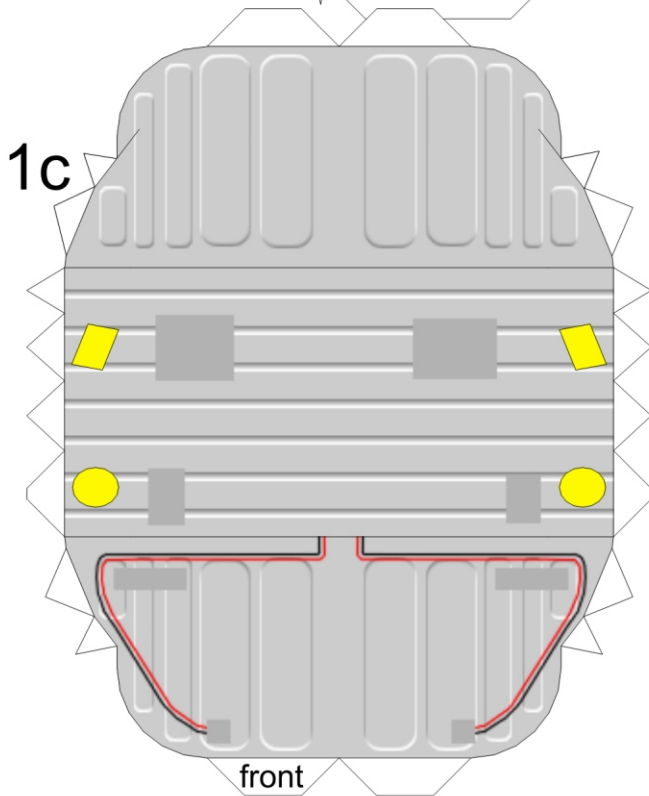
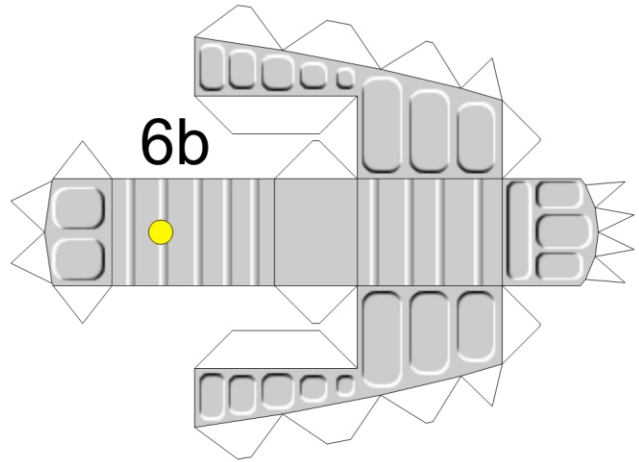
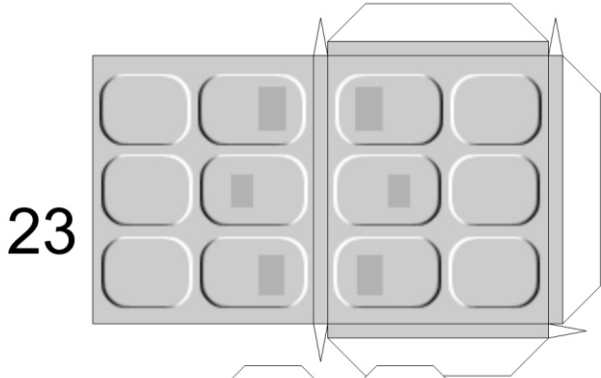
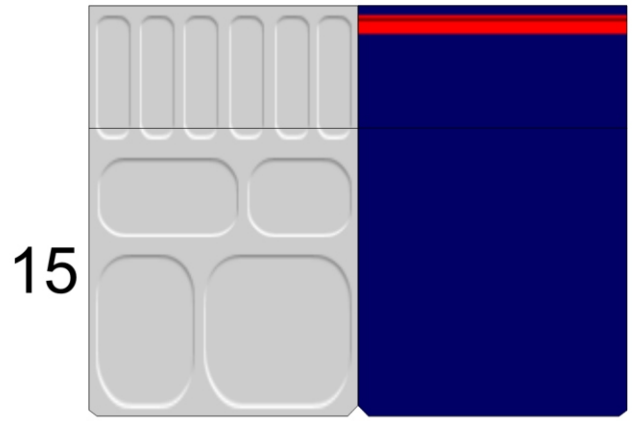
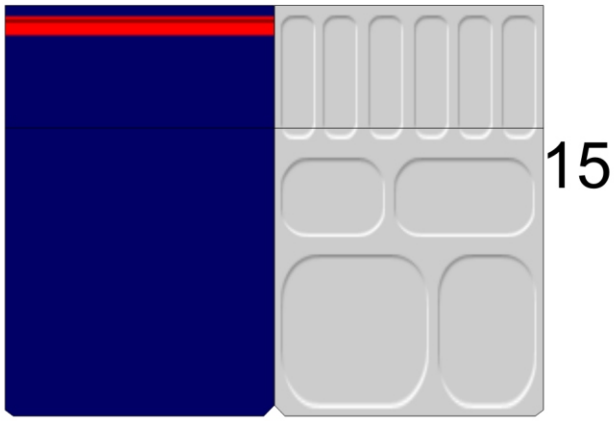
17

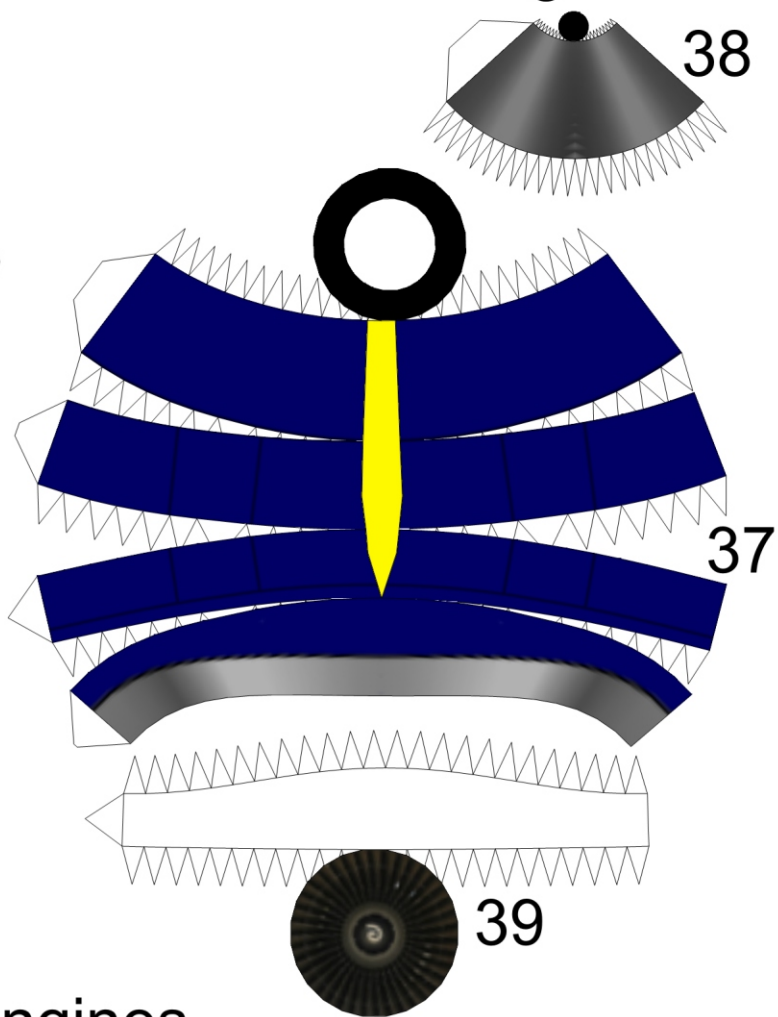
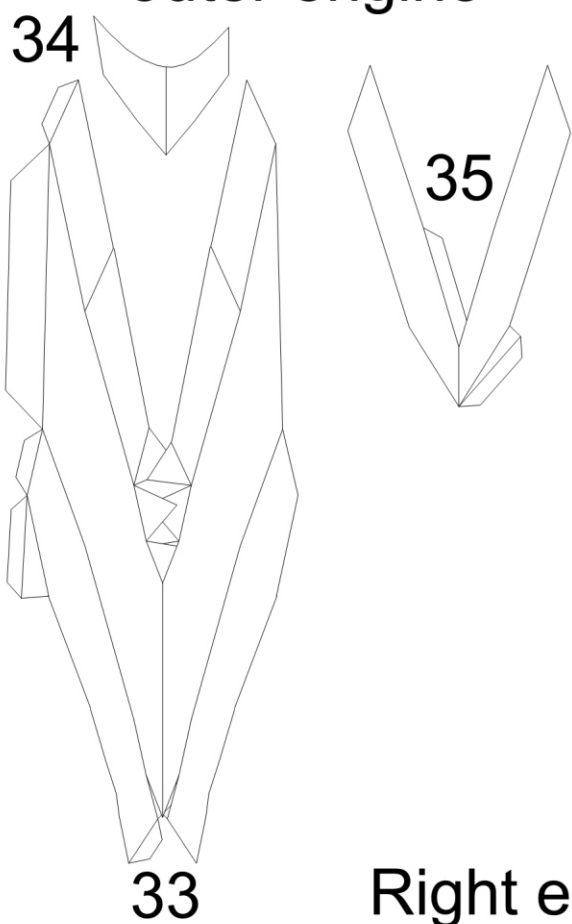
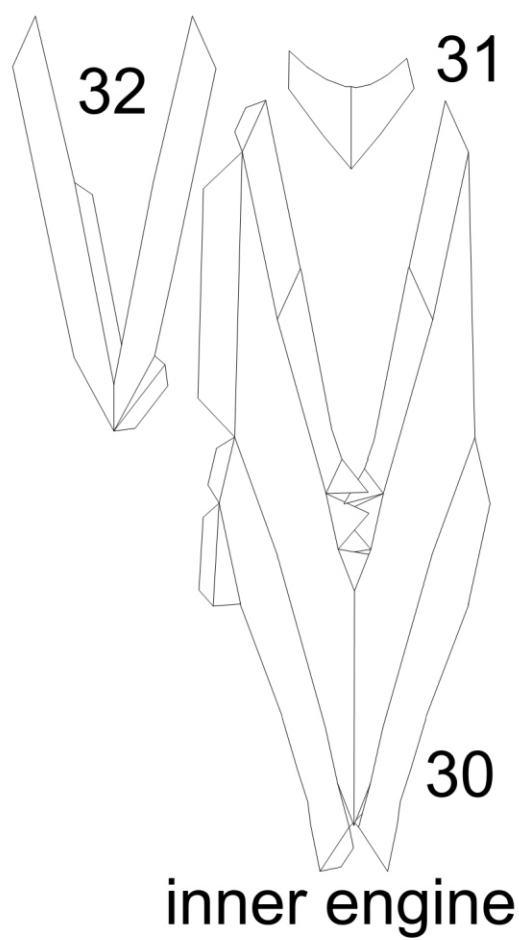
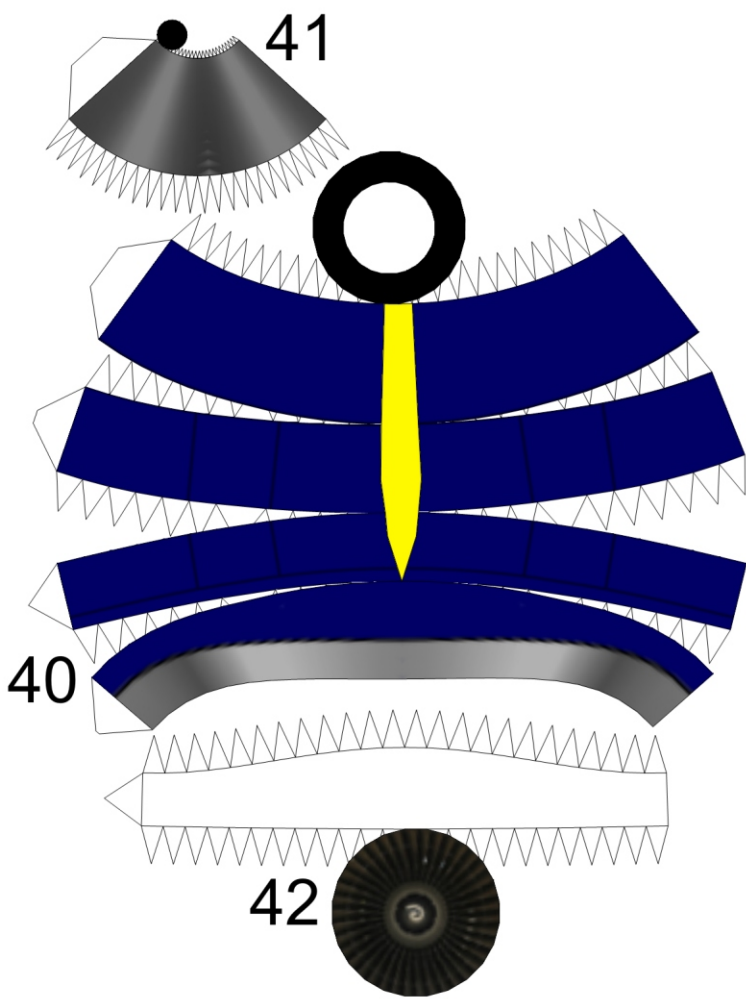


36





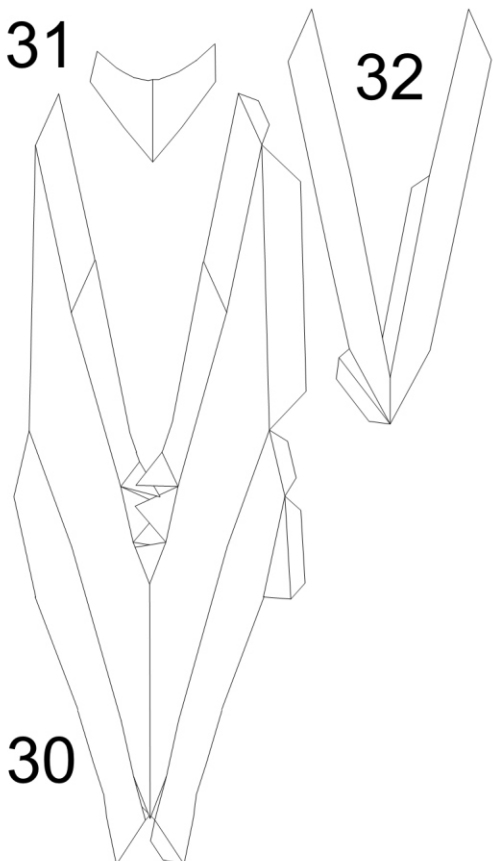




31

32

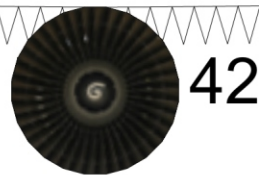
41



30

40

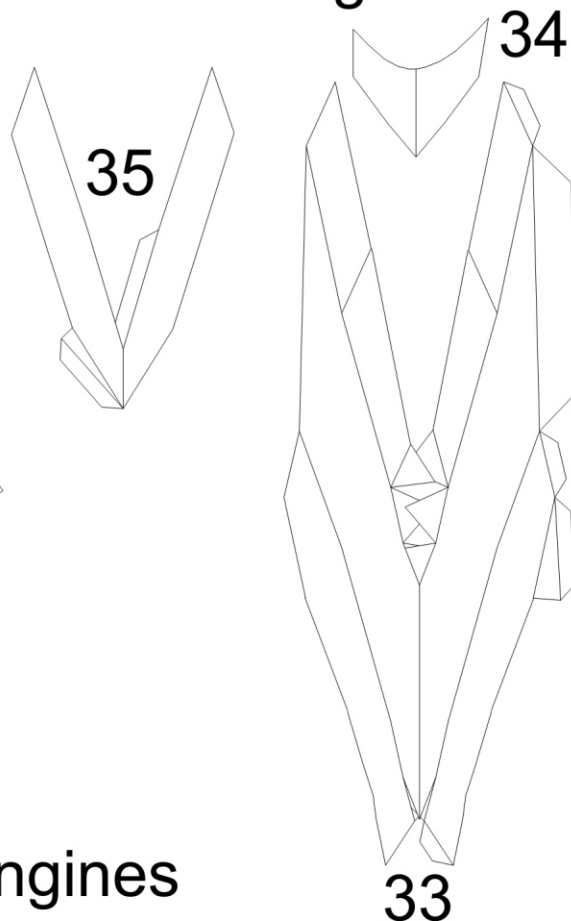
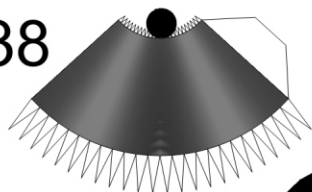
inner engine



42

outer engine

38

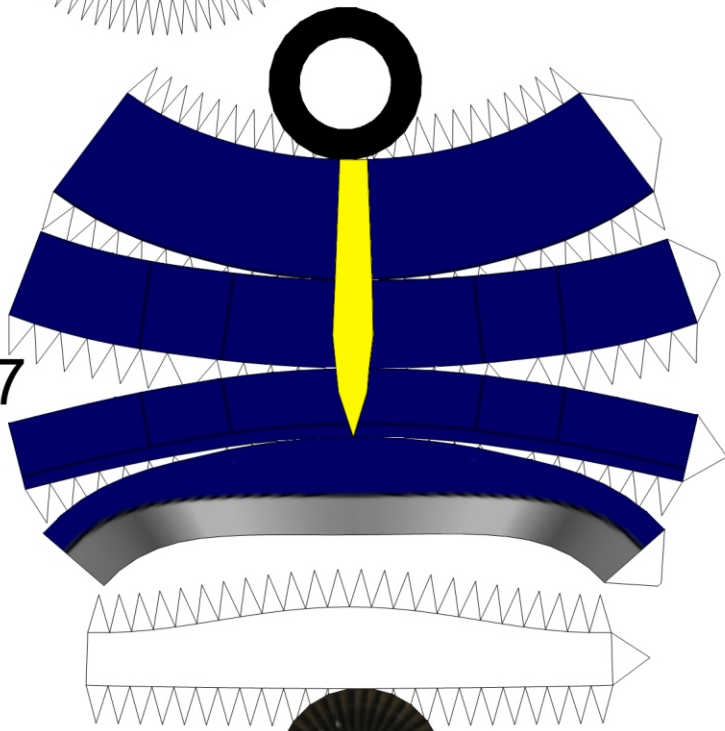


34

35

33

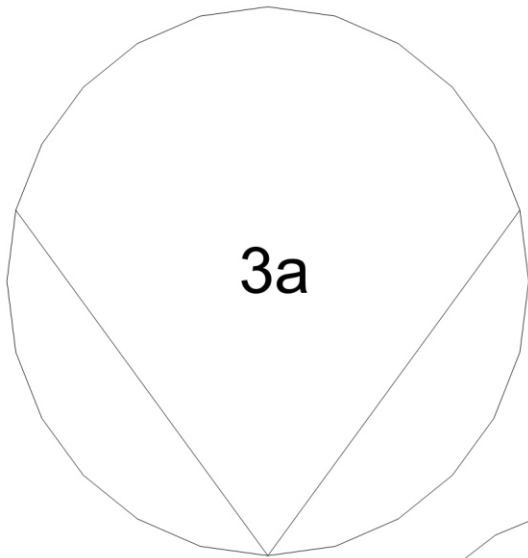
37



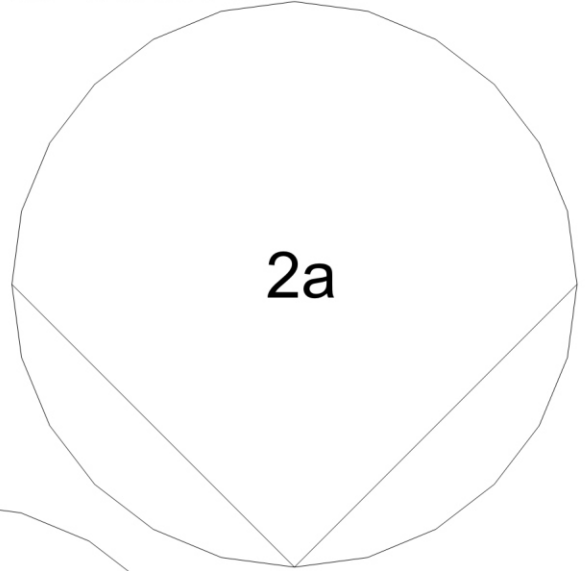
39

Left engines

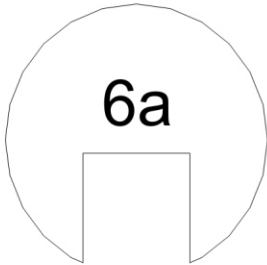
Print on or stick to thick card



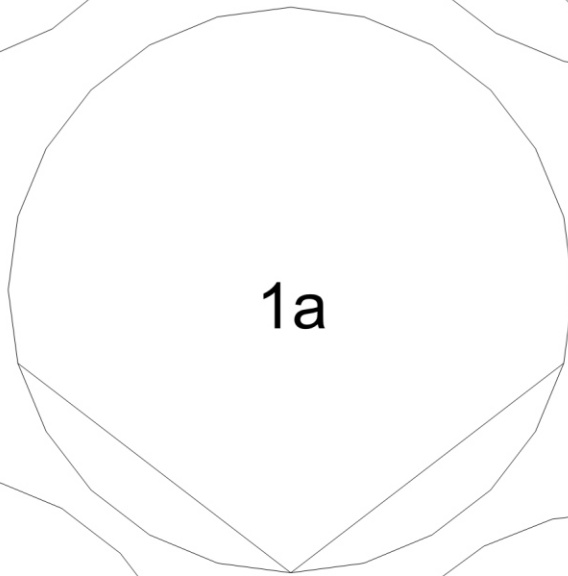
3a



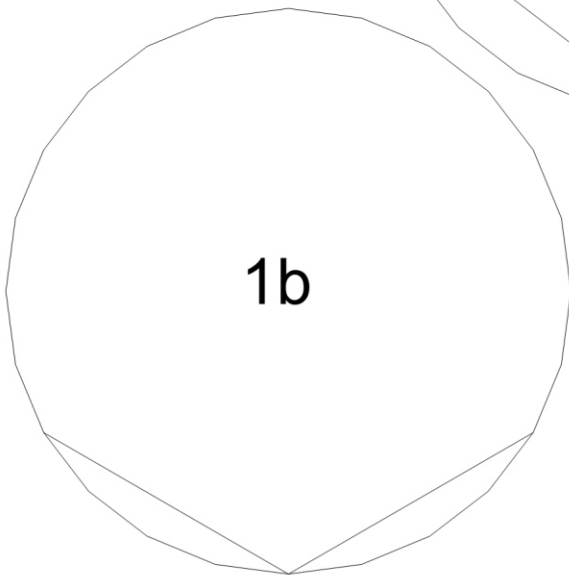
2a



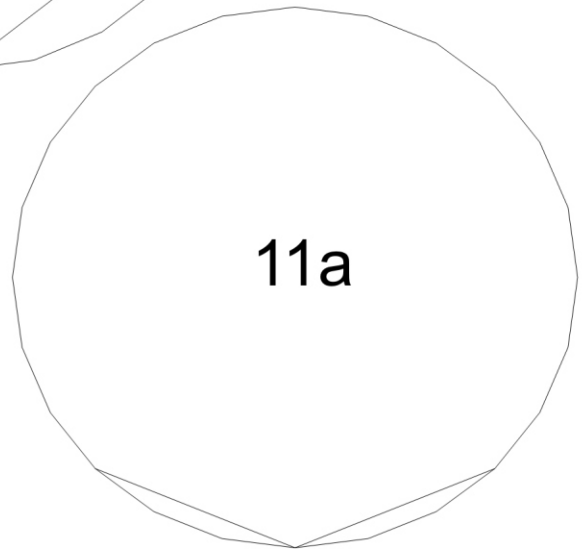
6a



1a



1b



11a



16b

16b



16d



16d



16c

16c



16c



16c



16d

16d



16b



16b

16a

